



DESCRIPTION

52CEST

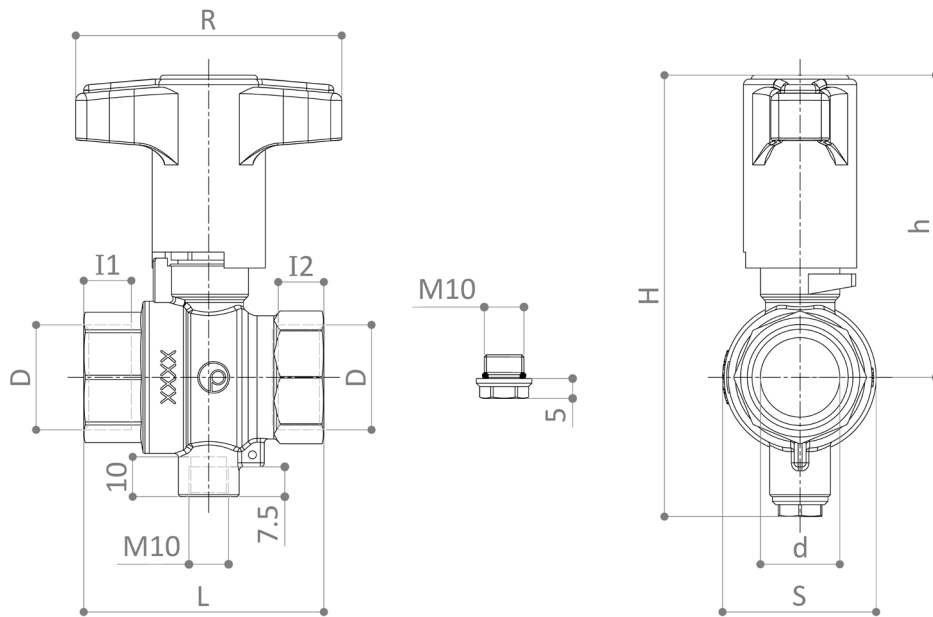
F x F "Extra compact" full-flow ball valve with female M10 probe housing for temperature sensor. Equipped with loop for anti-extraction seal.

Nickel plated.

"Long neck" T-handle in black plastic to allow operation even with insulation.

Probe and probe holder **not included**.

DIMENSIONS



Dimensions in mm – All threads are conform to ISO 7 or ISO 228 standards

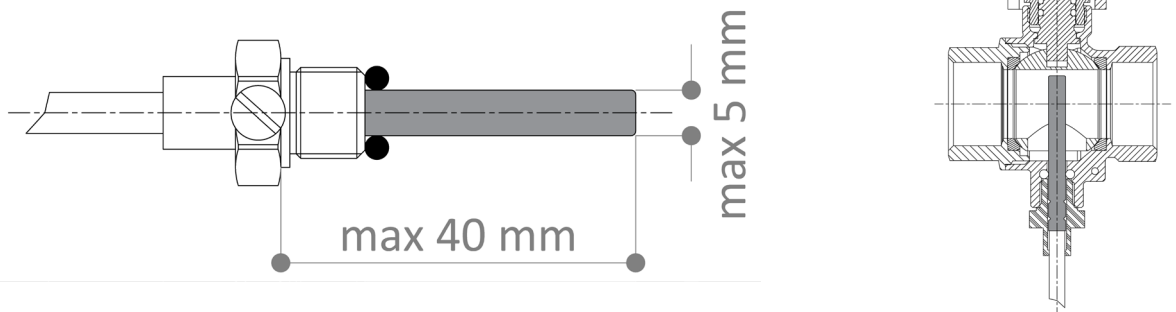
D	d	H	h	L	R	S	I1	I2	Weight [g]
1/2"	15	109	70	49	60	30	10.5	8.7	190.5
3/4"	20	111	76	61	67	38	12	9.7	298
1"	25	114	79	73	67	47	13.5	14	449

MATERIALS

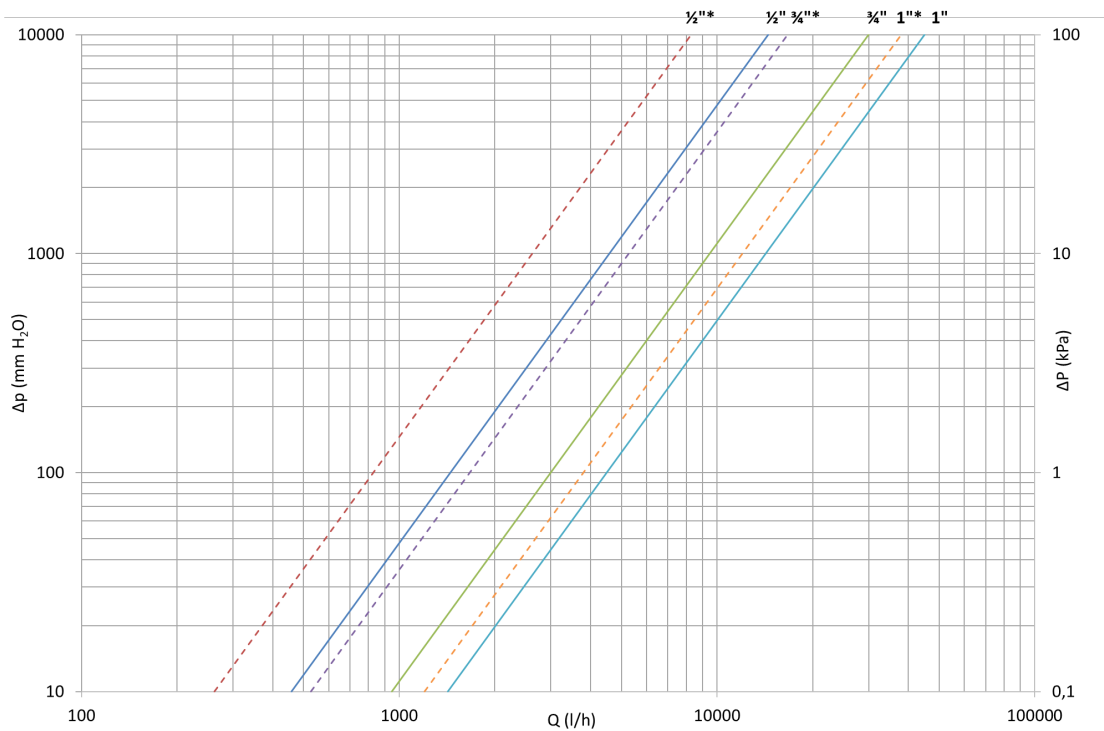
- Body** CW617N (UNI EN 12165) CuZn40Pb2
- Ball** CW617N (UNI EN 12165) CuZn40Pb2
- Stem** CW614N (UNI EN 12164) CuZn39Pb3
- Stuffing box** CW614N (UNI EN 12164) CuZn39Pb3
- Cap** CW614N (UNI EN 12164) CuZn39Pb3
- Seat** 2 x PTFE on the ball + 1 x PTFE on the stem
- O-rings** 2 x FKM on the stem + 1 x NBR on the cap
- Handle** PA66

TEMPERATURE PROBE

The 52CEST valve is equipped with a suitable temperature probe housing. To install the probe just remove the small M10 cap placed below the valve. Please, use only immersion temperature probes which are equipped with an M10 male threaded probe holder. For length and diameter limits, refer to the following picture:



PRESSURE DROP DIAGRAM



52CEST	Kv without temperature probe	Kv with temperature probe
1/2"	14.5	8.3
3/4"	30	16.7
1"	45	38
Line	—————	- - - - -

! To obtain the Kv values of the valve with a temperature probe installed, a suitable probe was used according with the limits set in the relative "TEMPERATURE PROBE" chapter.

RECOMMENDED WORKING TEMPERATURE / PRESSURE LIMITS

28 bar – 100°C – non shock
 Lower temperature limit with 50% glycol: -20°C. No frost.

! The limits shown refer to the case of a valve without a temperature probe. In case a probe is installed, these limits could vary according to the type of probe holder used.