



DESCRIPTION

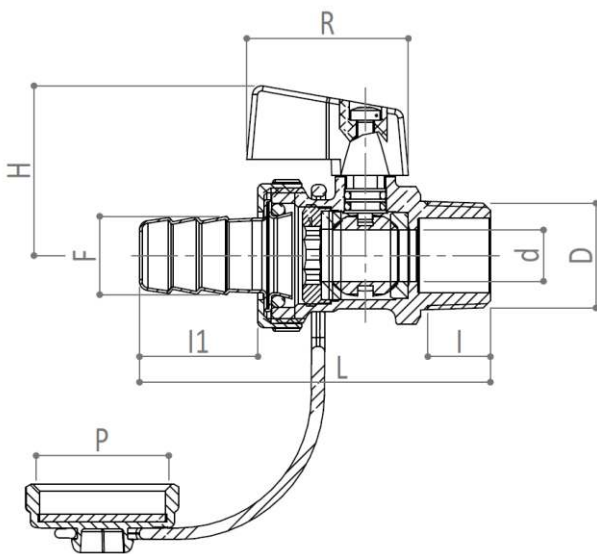
248S – 248SC

½" M x hose union blow down ball valve. Cap and hose union available according to the different versions.

Painted steel operating lever.

For water and water+glycol 30%.

DIMENSIONS



D	½"
d	10
H	33.1
I	11.6
l1	23.1
L	68.4
R	31,5
F	15.2
P	¾"
Weight [g]	120
PN	25*

Dimensions in mm

All threads are conform to ISO 7 or ISO 228 standards.

*Only with the ball closed

MATERIALS

- Body** CW617N (UNI EN 12165) CuZn40Pb2
- Ball** CW617N (UNI EN 12164) CuZn40Pb2 Nichel plated
- Stem** CW617N (UNI EN 12164) CuZn40Pb2
- Seat** 2 x PTFE G200 / PF 801
- O-Rings** EPDM + NBR(hose union)
- Hose union** CW508L (UNI EN 12449) CuZn37
- Cap** CW617N (UNI EN 12165) CuZn40Pb2
- Lever** Plated steel (UNI 5076/74) AlSi12Cu2Fe

VARIANTS

- 248S:** drain valve **without** cap and fose connection
- 248SC:** drain valve with cap and hose connection, not mounted

RECOMMENDED WORKING TEMPERATURE / PRESSURE LIMITS

- 10 bar – 70°C – non shock
- Minimum temperature: -10°C, no frost
- Maximum peak temperature: 90°C